

Project Name:	Type:
Note:	Date:

LED LIGHTING SOLUTION FOR COMMERCIAL INDOOR AND GREENHOUSE APPLICATIONS

# HPSPRO<sup>®</sup> Series



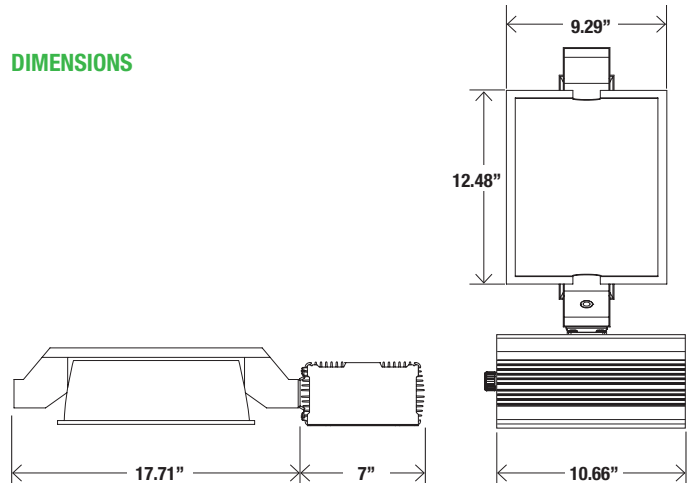
### DESCRIPTION

The HPSPRO Series is a complete, double-ended HPS grow light solution with optimal PPF output. Effecting high lumen output per square footage, the HPSPRO Series throws light over a wide area, making it flexible for use in a variety of warehouse and greenhouse sizes. Mimicking the natural spectrum of the sun, the HPSPRO Series is especially effective for vegetative and blooming stages.

### INTENDED APPLICATIONS

- Hydroponic cannabis growing
- Indoor greenhouse
- Commercial growing

### DIMENSIONS



### STANDARD POWER ELECTRICAL DATA

AC VOLTAGE	208V	240V	277V
AC CURRENT	5.1A	4.4A	3.8A
AC POWER	1000W	1000W	1000W
POWER FACTOR	0.98	0.98	0.98

### ORDERING SAMPLE: GPS-HPS-1000W-240

-  -  -

Family	Series	Rated Wattage	Input Voltage
GPS	HPS (HPS PRO Series)	1000W (1000W)	240 (208V-277V)



## LED LIGHTING SOLUTION FOR COMMERCIAL INDOOR AND GREENHOUSE APPLICATIONS



A high-reflectance aluminum reflector provides an intensely focused beam, optimizing usable light energy for plants. Delivering up to 2  $\mu\text{mol}/\text{j}$ , the HPSPRO Series is a step above the typical 1.5 to 1.7  $\mu\text{mol}/\text{j}$  for top-efficiency HPS grow lights. Ballast efficiency of 93%; THD <10%; 10,000 hours lifetime. Horizontally mounted; supplied with mounting cables.

### TECHNICAL SPECIFICATIONS

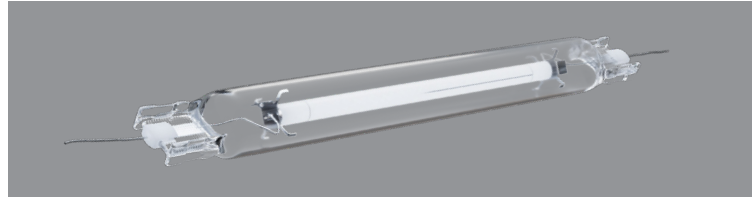
WATTAGE	<b>1000W</b>
INPUT VOLTAGE	<b>208V-277V</b>
FREQUENCY	<b>50/60Hz</b>
BALLAST EFFICIENCY	<b>93%</b>
POWER FREQUENCY	<b>50/60 Hz</b>
BTU OUTPUT	<b>3,412 BTU's/hour</b>
THD	<b>≤10%</b>
LIFETIME (Lamp)	<b>10,000 hours</b>
START/WARM UP	<b>5 mins</b>
LISTING	<b>ETL Listed</b>
WARRANTY	<b>3 year limited</b>

### BALLAST SPECIFICATIONS

INPUT VOLTAGE	<b>208V-277V</b>
INPUT FREQUENCY	<b>50/60Hz</b>
INPUT POWER FACTOR	<b>.98</b>
THD	<b>≤10%</b>
WAVE CREST RADIO	<b>≤1.7</b>
START/WARM UP	<b>5 mins</b>
PULSE START	<b>4-5kV</b>
OUTPUT RATED FREQUENCY	<b>110HZ</b>
OPEN CIRCUIT VOLTAGE	<b>≤440</b>
BALLAST EFFICIENCY	<b>93%</b>
6-PHASE DIMMING	<b>Yes</b>
DIMMING	<b>4 steps dimmable (600/750/1000/1150)</b>

### WHAT'S IN THE BOX

- 1x HPSPRO Series unit
- 1x 1000W HPS lamp
- 1x 15ft power cord with 240V plug
- 2x lifting pulley hoist rope hook



### LAMP SPECIFICATIONS

WATTAGE	<b>1000W</b>
VOLTAGE	<b>230V</b>
CURRENT	<b>4.4 mA</b>
LUMENS	<b>135,000 Lumens</b>
POWER FACTOR	<b>0.98</b>
LAMP TYPE	<b>T10</b>
CCT	<b>2100K</b>
CRI	<b>25</b>
FREQUENCY	<b>50/60Hz</b>
PPFD	<b>1.8 <math>\mu\text{mol}/\text{s}/\text{w}</math></b>
LAMP TEMP. (Max)	<b>158°F (70°C)</b>
AVERAGE LIFE	<b>12,000 hrs</b>
WARRANTY	<b>1 year limited</b>

### SPECTRAL DISTRIBUTION

